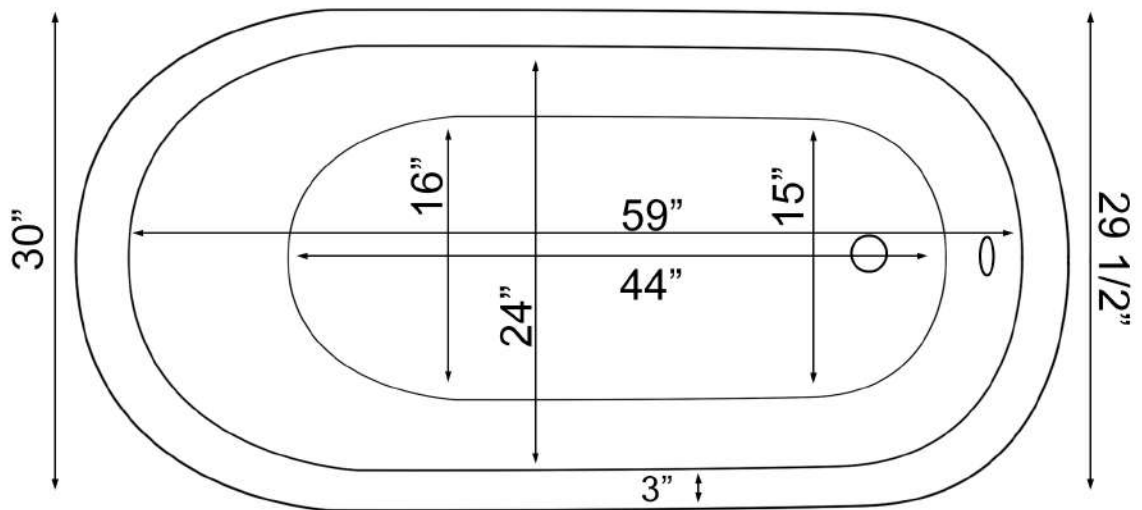
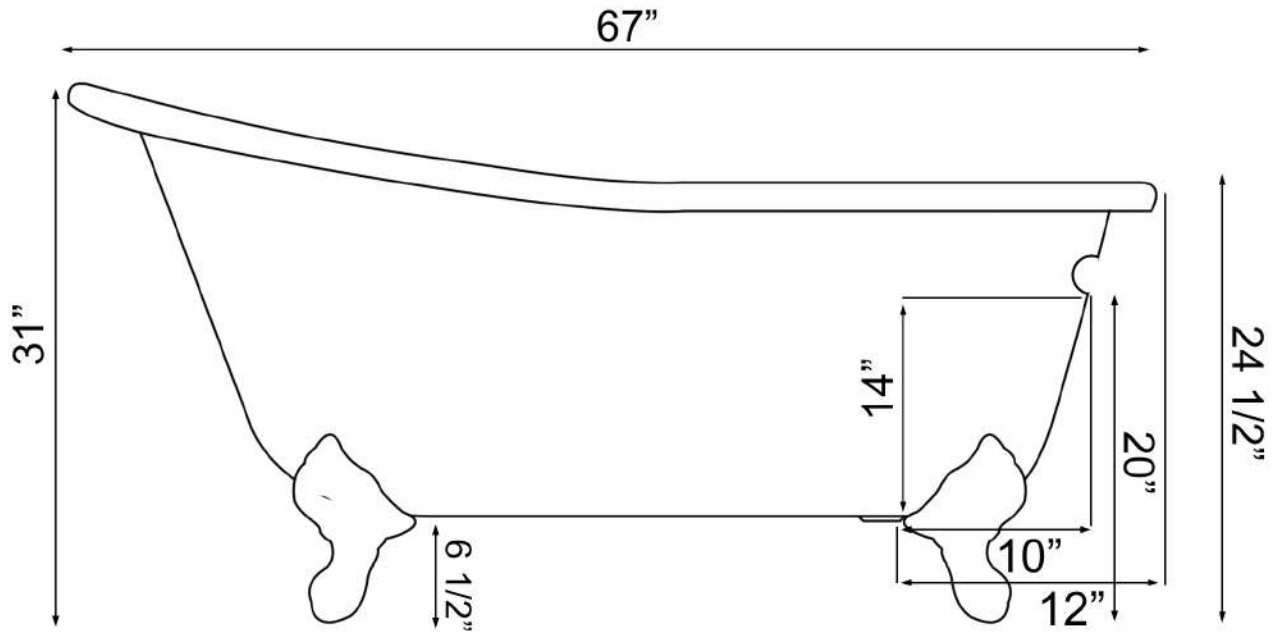


ST67 Cast Iron Bathtub

Tolerance +/- 1/4"



Drain and Overflow 2" in Diameter